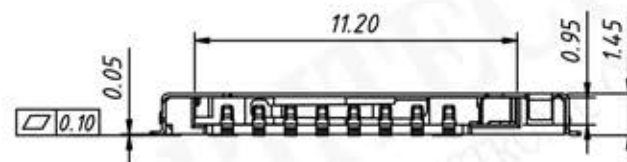
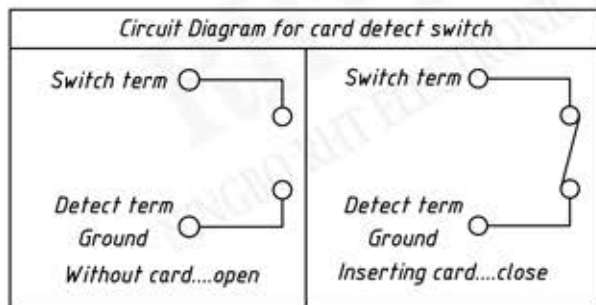
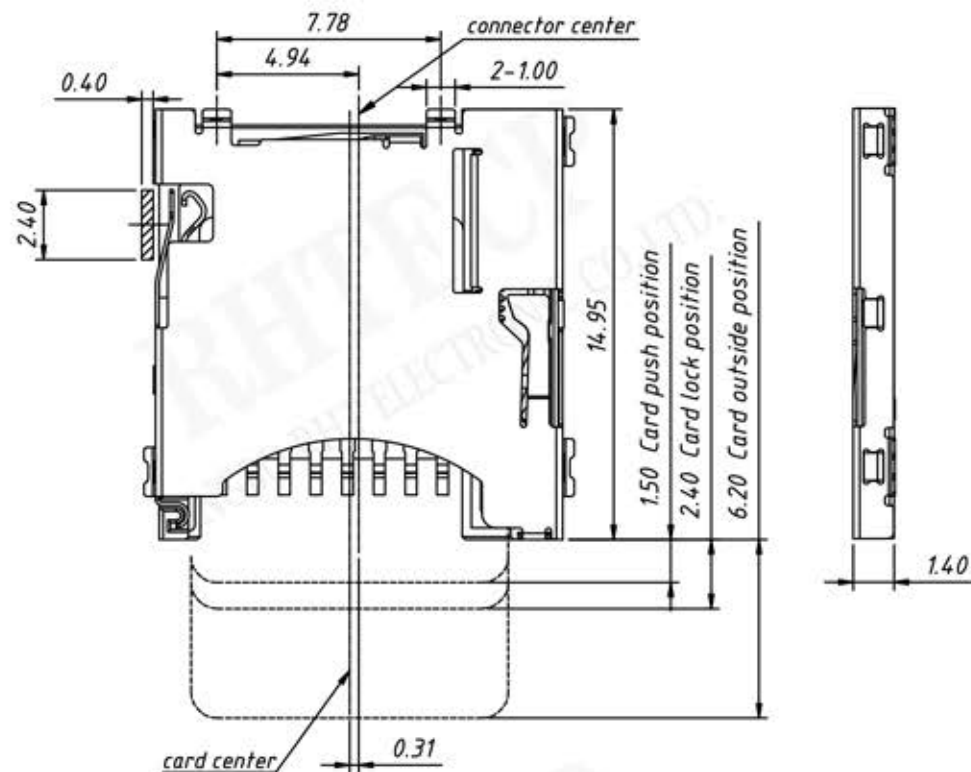
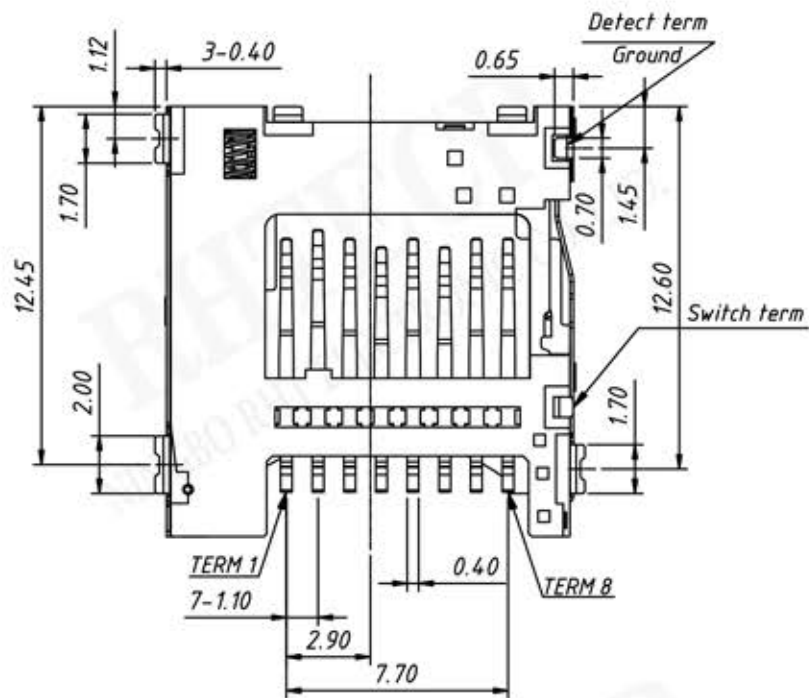
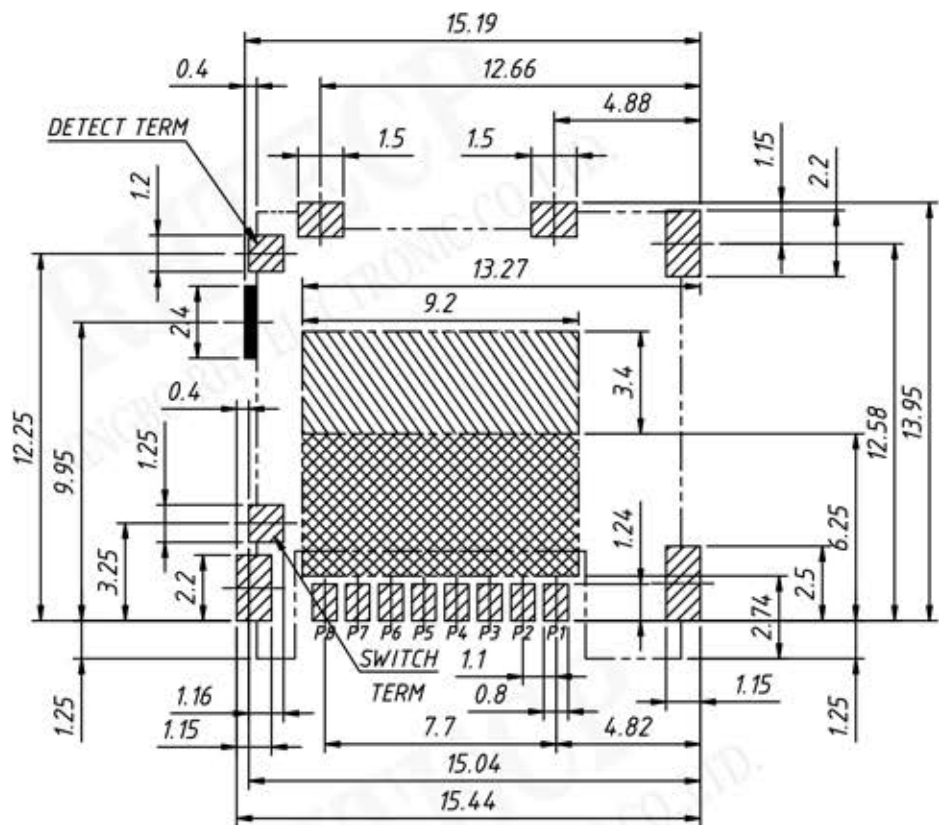


P/N: RE-C-TF-016





PCB PATTERN LAYOUT

- PROHIBITED AREA
- SOLDER PROHIBITED AREA
- PATTERN PROHIBITED AREA

PIN NO.	NAME	TYPE	DESCRIPTION
TERM1	DAT2	I/O/PP	Data Line(Bit 2)
TERM2	CD/DAT3	I/O/PP	Card Detect Data line(Bit 3)
TERM3	CMD	PP	Command Response
TERM4	VDD	S	Supply voltage
TERMS	CLK	I	Clock
TERM6	VSS	S	Supply voltage ground
TERM7	DAT0	I/O/PP	Data Line (Bit 0)
TERM8	DAT1	I/O/PP	Data Line (Bit 1)

Notes:

- 1.Coplanarity spec.for all solder tall and solder pad is 0.10mm
- 2.Electric characteristics:
 - 2-1.Current Rating:0.5 Amp.max.
 - 2-2.Voltage:100V DC max.
 - 2-3.Low level contact resistance:100mΩ Max.
 - 2-4.Dielectric Withstanding Voltage:AC500V rms.
 - 2-5.Insulation Resistance:1000MΩ Min.(Final)100MΩ Min.
- 3.Mechanical characteristics:
 - 3-1.Durability:5000 Cycles.
 - 3-2.Operating Temp Range:-25°C TO +85°C
 - 3-3.Storage Temp:-40°C TO +85°C